

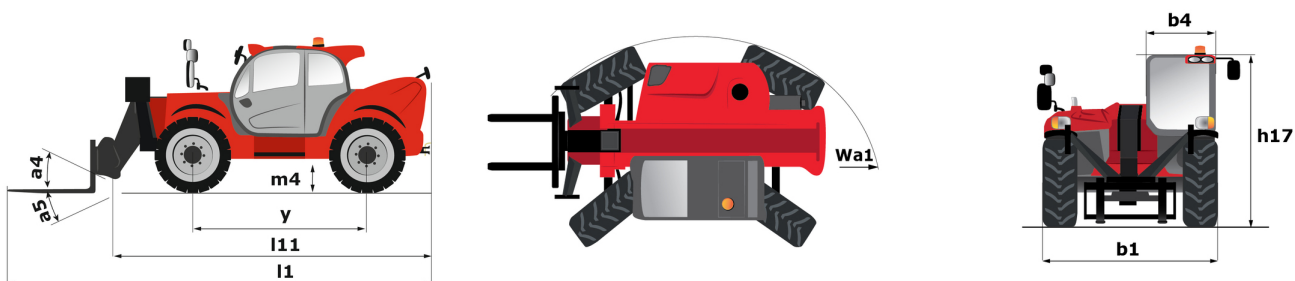
Technical sheet :

MT 1440 EASY ST5



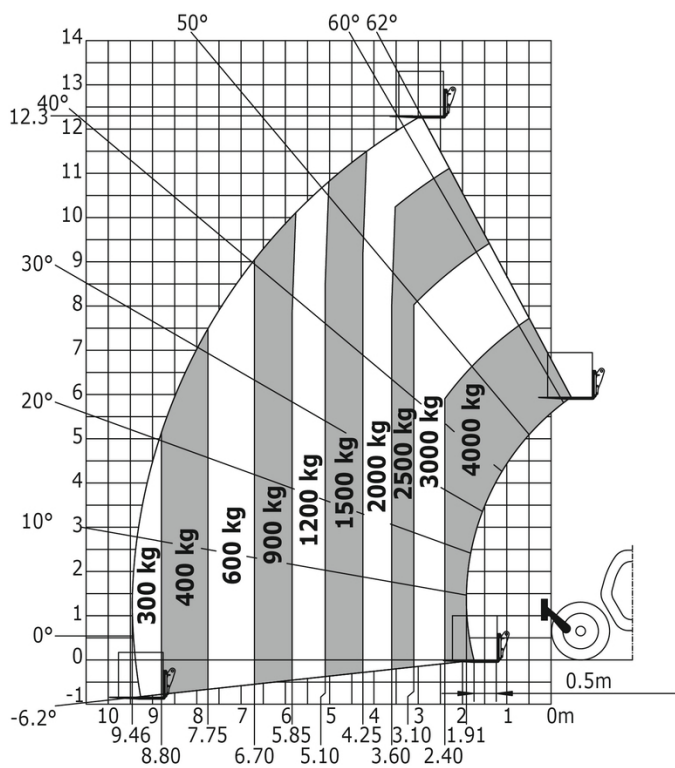
| Capacities | | Metric |
|---|-----------|--|
| Max. capacity | | 4000 kg |
| Max. lifting height | | 13.53 m |
| Max. outreach | | 9.46 m |
| Breakout force with bucket | | 7400 daN |
| Weight and dimensions | | |
| Overall length to carriage | l11 | 6.13 m |
| Overall width | b1 | 2.36 m |
| Overall height | h17 | 2.45 m |
| Wheelbase | y | 3.07 m |
| Ground clearance | m4 | 0.37 m |
| Overall cab width | b4 | 0.89 m |
| Tilt-up angle | a4 | 12 ° |
| Tilt-down angle | a5 | 114 ° |
| External turning radius (over tyres) | Wa1 | 3.94 m |
| Unladen weight (with forks) | | 10855 kg |
| Tyres type | | Pneumatic |
| Standard tyres | | Alliance 400/80 - 24 - 162A8 |
| Forks length / width / section | l / e / s | 1200 mm x 125 mm / 50 mm |
| Performances | | |
| Lifting | | 16 s |
| Lowering | | 12.40 s |
| Extension | | 17.30 s |
| Retraction | | 13 s |
| Crowd | | 4 s |
| Dump | | 4 s |
| Engine | | |
| Engine brand | | Deutz |
| Engine norm | | Stage V / Tier 4 final |
| Engine model | | TD 3.6 L |
| Number of cylinders / Capacity of cylinders | | 4 - 3621 cm³ |
| I.C. Engine power rating - Power (kW) | | 75 Hp / 55.40 kW |
| Max. torque / Engine rotation | | 340 Nm @ 1600 rpm |
| Drawbar pull (Laden) | | 8320 daN |
| Transmission | | |
| Transmission type | | Torque converter |
| Number of gears (forward / reverse) | | 4 / 4 |
| Max. travel speed | | 24.90 km/h |
| Parking brake | | Automatic parking brake |
| Service brake | | Oil-immersed multi-discs braking on front & rear axles |
| Hydraulics | | |
| Hydraulic pump type | | Gear pump |
| Hydraulic flow / Pressure | | 160 l/min / 270 bar |
| Tank capacities | | |
| Engine oil | | 7.50 l |
| Hydraulic oil | | 135 l |
| Fuel tank | | 140 l |
| Noise and vibration | | |
| Noise at driving position (LpA) | | 79 dB |
| Noise to environment (LwA) | | 102 dB |
| Vibration on hands/ams | | < 2.50 m/s² |
| Miscellaneous | | |
| Steering wheels (front / rear) | | 2 / 2 |
| Drive wheels (front / rear) | | 2 / 2 |
| Safety / Safety cab homologation | | Standard EN 15000 / Cabin ROPS - FOPS Level 2 |
| Controls | | JSM |

MT 1440 easy ST5 - Dimensional drawing

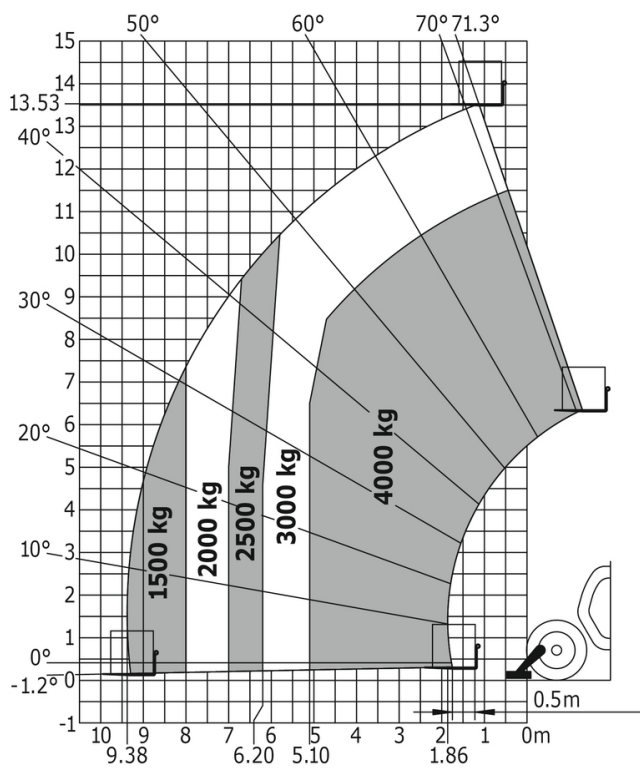


MT 1440 easy ST5 - Load chart

Machine on tyres with forks - with levelling Metric



Machine on stabilizers with forks Metric





Siège Social
430 rue de l'Aubinière - 44150 Ancenis Cedex - France
Tel: +33(0)2 40 09 10 11 - Fax: +33 (0)2 40 09 10 97
www.manitou.com



This brochure describes versions and configuration options for Manitou products which may be fitted with different equipment. The equipment described in this brochure may be standard, optional or not available depending on version. Manitou reserves the right to change the specifications shown and described at any time and without prior warning. The manufacturer is not liable for the specifications given. For more information, contact your Manitou dealer. Non-contractual document. Product descriptions may differ from actual products. List of specifications is not comprehensive. The logos and visual identity of the company are the property of Manitou and may not be used without authorisation. All rights reserved. The photos and diagrams contained in this brochure are provided for information only.

MANITOU BF SA - Limited company with board of directors - Share capital: 39,668,399 euros - 857 802 508 RCS Nantes