

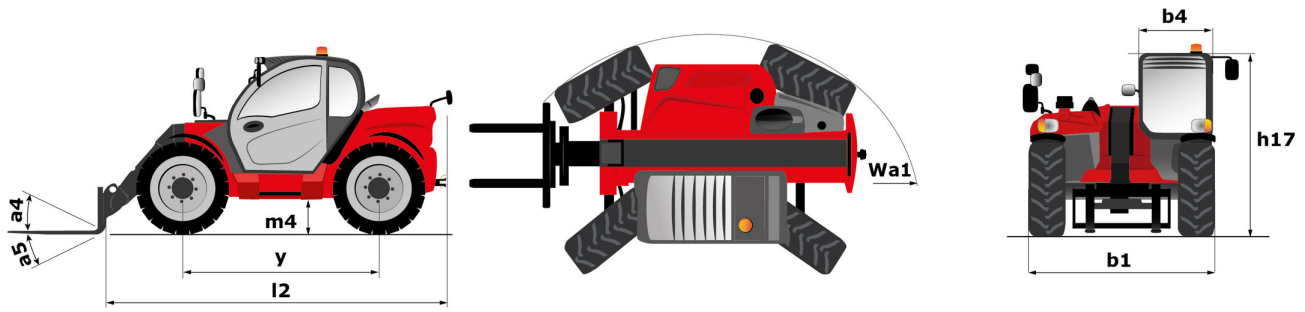
Technical sheet :

MLT 741-140 V+



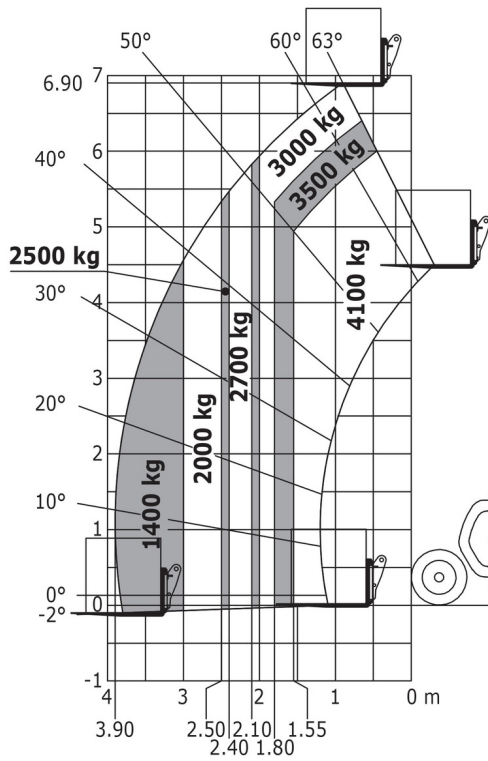
Capacities		Metric
Max. capacity	Q	4100 kg
Max. lifting height	h3	6.90 m
Max. outreach		3.90 m
Reach at max. height		1 m
Breakout force with bucket		5992 daN
Weight and dimensions		
Unladen weight (with forks)		7755 kg
Ground clearance	m4	0.42 m
Wheelbase	y	2.81 m
Overall length to carriage (with hitch)	l11	4.97 m
Front overhang		1.21 m
Overall width	b1	2.39 m
Overall cab width	b4	0.95 m
Overall height	h17	2.38 m
Tilt-down angle	a5	134 °
Tilt-up angle	a4	12 °
External turning radius (over tyres)	Wa1	3.93 m
Standard tyres		Alliance - A580 - 460/70 R24 159A8
Drive wheels (front / rear)		2 / 2
Steering wheels (front / rear)		2 / 2
Performances		
Lifting		7 s
Lowering		6 s
Extension		6.30 s
Retraction		5.60 s
Crowd		3.20 s
Dump		2.80 s
Engine		
Engine brand		Deutz
Engine norm		Stage V / Tier 4 Final
Engine model		TCD 3.6 L4
Number of cylinders - Capacity of cylinders		4 - 3621 cm ³
I.C. Engine power rating / Power (kW)		136 Hp / 100 kW
Max. torque / Engine rotation		500 Nm @1600 rpm
Drawbar pull (Laden)		6200 daN
Reversible fan		Standard
Engine cooling system		4 radiators (water + air + hydraulic oil + transmission oil)
Transmission		
Transmission type		CVT
Max. travel speed (may vary according to applicable regulations)		40 km/h
Differential lock		Limited slip differential on front axle
Parking brake		Automatic negative parking brake
Service brake		Oil-immersed multi-discs braking on front & rear axles
Hydraulics		
Hydraulic pump type		Variable displacement pump
Hydraulic flow - Pressure		170 l/min - 270 bar
Flow sharing distributor		Standard
Tank capacities		
Hydraulic oil		135 l
Fuel tank		120 l
Diesel Exhaust fluid (AdBlue® type)		10 l
Noise and vibration		
Noise at driving position (LpA) tested following NF EN 12053 norm		72 dB
Environmental noise (LwA)		105 dB
Vibration to whole hand/arm		< 2.50 m/s ²
Miscellaneous		
Tractor homologation		Tractor homologation
Safety cab homologation		Cabin ROPS - FOPS Level 2
Controls		JSM

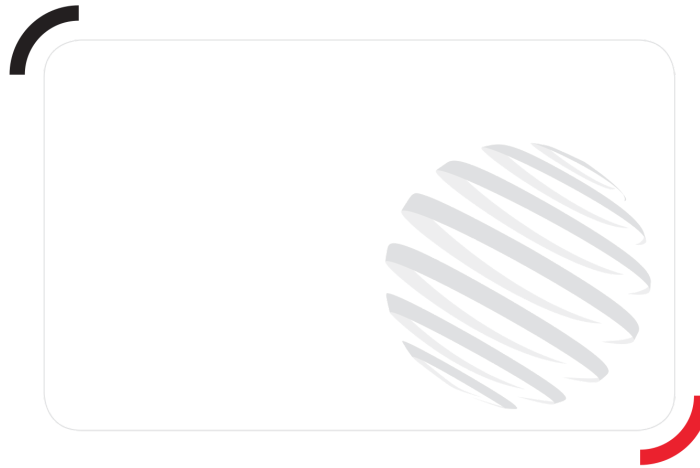
MLT 741-140 V+ - Dimensional drawing



MLT 741-140 V+ - Load chart

Rough terrain load chart (EN 1459 B) Metric





Siège Social
430 rue de l'Aubinière - 44150 Ancenis Cedex - France
Tel: +33(0)2 40 09 10 11 - Fax: +33 (0)2 40 09 10 97
www.manitou.com



This brochure describes versions and configuration options for Manitou products which may be fitted with different equipment. The equipment described in this brochure may be standard, optional or not available depending on version. Manitou reserves the right to change the specifications shown and described at any time and without prior warning. The manufacturer is not liable for the specifications given. For more information, contact your Manitou dealer. Non-contractual document. Product descriptions may differ from actual products. List of specifications is not comprehensive. The logos and visual identity of the company are the property of Manitou and may not be used without authorisation. All rights reserved. The photos and diagrams contained in this brochure are provided for information only.

MANITOU BF SA - Limited company with board of directors - Share capital: 39,668,399 euros - 857 802 508 RCS Nantes