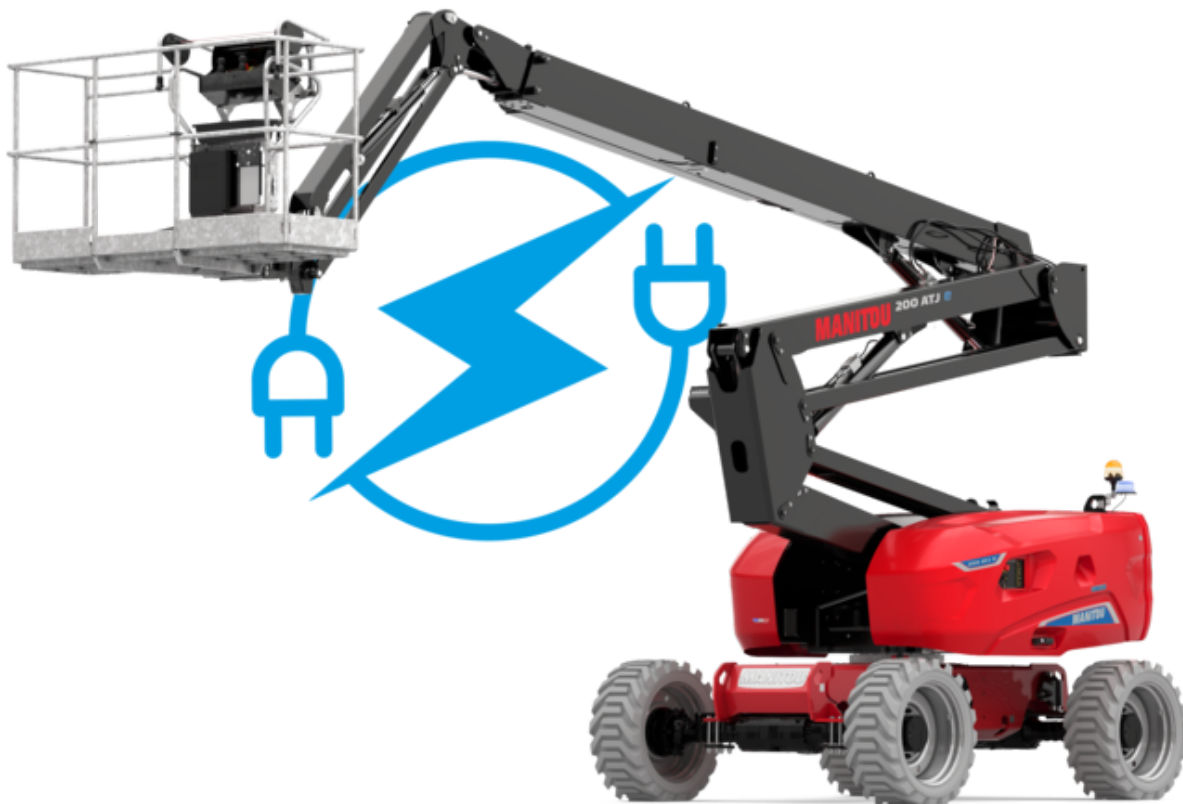


Technical sheet :

200 ATJ E 4WS CR

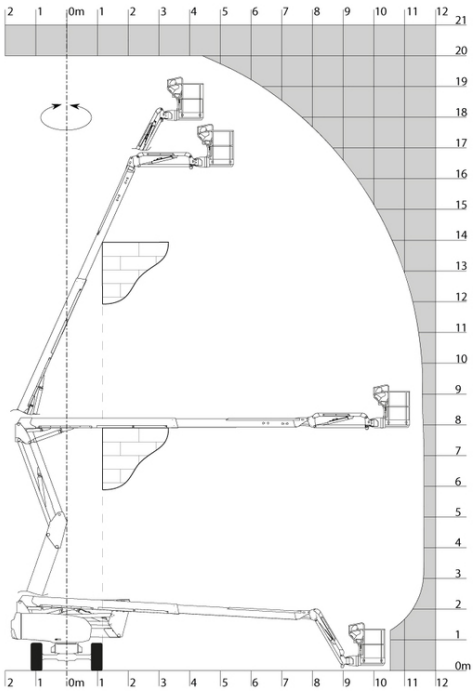


Capacities		Metric
Working height	h21	20 m
Platform height	h7	18 m
Max. outreach		11.57 m
Overhang		7.90 m
Pendular arm rotation (top / bottom)		+65 ° / -60 °
Platform capacity	Q	250 kg
Turret rotation		360 °
Platform rotation (right / left)		90 ° / 90 °
Number of people (inside / outside)		2 / 2
Weight and dimensions		
Platform weight*		7530 kg
Platform dimensions (length x width)	lp / ep	2.10 m x 0.80 m
Overall width	b1	2.38 m
Overall length	l1	8.34 m
Overall height	h17	2.46 m
Overall length (stowed)	l9	6.06 m
Overall height (stowed)	h18	2.81 m
Floor height (access)	h20	0.45 m
Counterweight offset (turret at 90°)	a7	0.61 m
Internal turning radius (over tyres)	b13	1.27 m
External turning radius	Wa3	3.78 m
Ground clearance at centre of wheelbase	m2	0.38 m
Wheelbase	y	2.30 m
Performances		
Drive speed - stowed		5.30 km/h
Drive speed - raised		0.70 km/h
Gradeability		45 %
Permissible leveling		4 °
Wheels		
Tyres type		Foam-filled
Drive wheels (front / rear)		2 / 2
Steering wheels (front / rear)		2 / 2
Braking wheels (front / rear)		0 / 2
Engine/Battery		
Battery / Batteries capacity		48 V / 460 Ah
Integrated charger (V / A)		48 V / 60 A
Miscellaneous		
Ground Pressure		10.90 dan/cm ²
Hydraulic Pressure		240 bar
Hydraulic tank capacity		24 l
Standards compliance		
This machine is in compliance with:		European directives: 2006/42/EC- Machinery (revised EN280:2013) - 2004/108/EC (EMC) - 2006/95/EC (Low voltage)

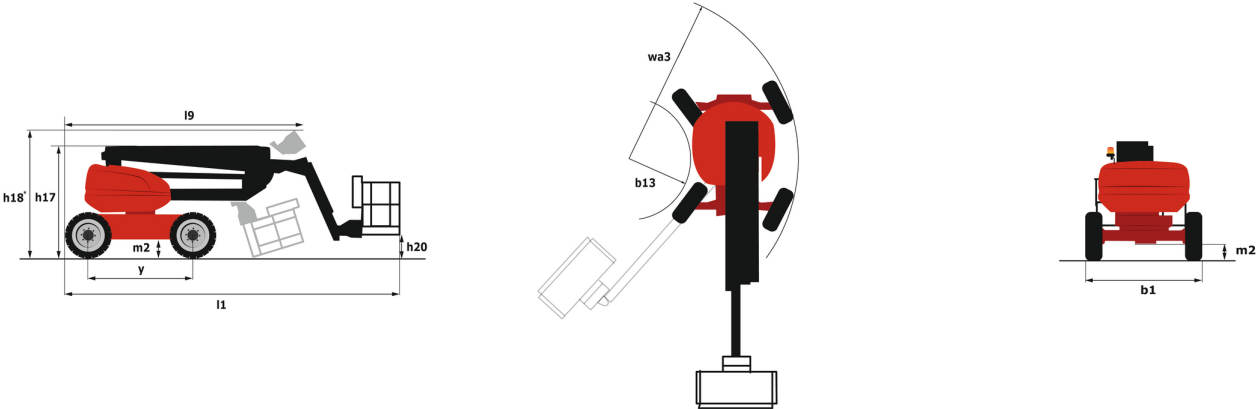
*Varies according to options and standards of the country to which the machine is delivered

200 ATJ E 4WS CR - Load chart

Load Chart metric



200 ATJ E 4WS CR - Dimensional drawing



Equipment

Standard

230V Predisposition
4 simultaneous movements
4 wheel drive
4 wheel steer with crab mode
Audible alarm and illuminated indicator lamp (leveling, overload, lowering)
Backup electrical pump
CAN bus technology
Continuous turret rotation
Dead man pedal
Differential locking on rear axle
Easy Manager
Emergency stop button in platform and on frame
Flat Led Rotating Beacon
Foam filled tyres
Integrated diagnostic assistance
Large color screen on turret
Lead acid batteries
Multi-voltage integrated charger
Multi-voltage integrated charger Zivan 48V /60 A
Oscillating front axle
Protective cover for control panel
SPS : Secondary protection system
Screen information in the basket
Tool box in platform
Travel possible at maximum height
Two electric motors of 8.5kW and 16kW

Optional

110 or 230V plug with differential circuit breaker
Access control keypad for easy link
Beep on every movement
Beep upon travel
Biodegradable oil
Coded anti-start
Easy link with remote lock
Electric centralized filling
Fully galvanized basket 1800mm with lateral door
Galvanized basket 1,800 mm
Non-marking tyres
Safety kit (Harness + helmet)
Turret cover with key lock
Water predisposition



Siège Social
430 rue de l'Aubinière - 44150 Ancenis Cedex - France
Tel: +33(0)2 40 09 10 11 - Fax: +33 (0)2 40 09 10 97
www.manitou.com



This brochure describes versions and configuration options for Manitou products which may be fitted with different equipment. The equipment described in this brochure may be standard, optional or not available depending on version. Manitou reserves the right to change the specifications shown and described at any time and without prior warning. The manufacturer is not liable for the specifications given. For more information, contact your Manitou dealer. Non-contractual document. Product descriptions may differ from actual products. List of specifications is not comprehensive. The logos and visual identity of the company are the property of Manitou and may not be used without authorisation. All rights reserved. The photos and diagrams contained in this brochure are provided for information only.

MANITOU BF SA - Limited company with board of directors - Share capital: 39,668,399 euros - 857 802 508 RCS Nantes